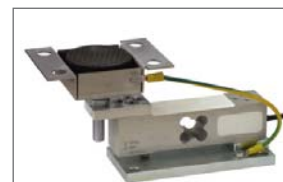




Capacity from 10 kg to 100 kg



MOUNTING KITS



T8-AZLI

It can be used for systems with at least 3 load cells connected in parallel

- ALUMINUM ALLOY
- COMBINED ERROR $\leq \pm 0.02\%$ (0.017% C4)
- PROTECTION CLASS IP65

CAPACITY	kg	ACCURACY CLASS				EAC	EAC Ex	PLATFORM DIMENSION (mm)	NET WEIGHT OF LOAD CELL (kg)	CODE
		C3	C4							
10		•	–	•	•	•		400 x 400	0.4	AZL10
15		•	•	•	•	•		400 x 400	0.4	AZL15
20		•	•	•	•	•		400 x 400	0.4	AZL20
30		•	•	•	•	•		400 x 400	0.4	AZL30
50		•	•	•	•	•		400 x 400	0.4	AZL50
100		•	–	•	•	•		400 x 400	0.4	AZL100

ON REQUEST

CERTIFICATIONS



OIML R60 C3

CERTIFICATIONS ON REQUEST



ATEX II 1GD (zone 0-1-2-20-21-22)



IECEX (zone 0-1-2-20-21-22)



OIML R60 C4



Complies with the Eurasian Custom Union standards

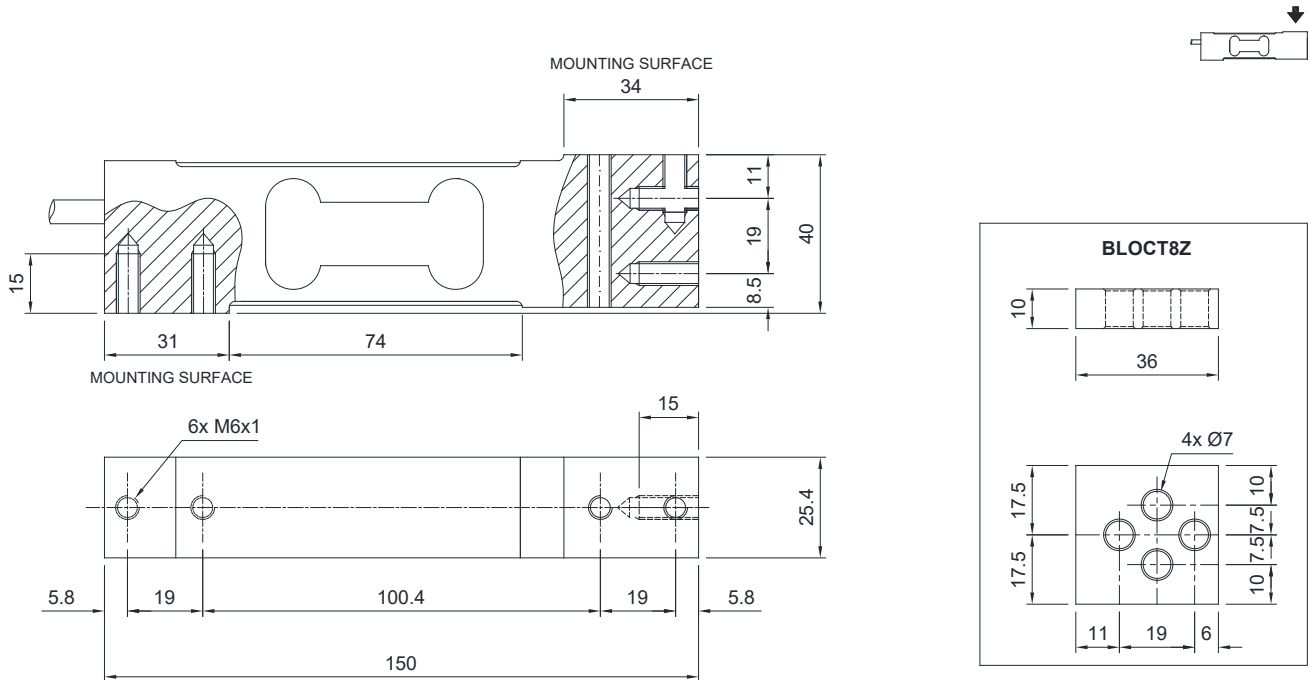


Complies with the Eurasian Custom Union standards for use in potentially explosive atmospheres

COMPLEMENTARY ACCESSORIES

	DESCRIPTION	CODE
	Galvanized steel drawn block.	BLOCT8Z

DIMENSIONS (mm)



TECHNICAL FEATURES

Material	Aluminum alloy		
OIML R60 Accuracy class • Verification intervals	C3 • 3000	C4 • 4000	
Nominal load (E max)	10 - 15 - 20 - 30 - 50 - 100 kg	15 - 20 - 30 - 50 kg	
Minimum verification interval (V min)	E max / 12000	E max / 15000	
Combined error	≤ ±0.02%	≤ ±0.017%	
Protection class	IP65		
Rated output	2 mV/V ±10%	Input resistance	409 Ω ±6
Temperature effect on zero	0.0017% °C	Output resistance	350 Ω ±3
Temperature effect on span	0.0014% °C	Zero balance	≤ ±1%
Compensated temperature range	-10 °C / +40 °C	Insulation resistance	≥5000 MΩ
Operating temperature range	-35 °C / +65 °C	Safe overload (% of full scale)	150%
Creep at nominal load in 30 minutes	0.02%	Ultimate overload (% of full scale)	300%
Max supply voltage without damage	18 V	Deflection at nominal load	0.5 mm

ELECTRICAL CONNECTIONS

Cable length	6 m
Cable diameter	5 mm
Cores	6 x 0.20 mm ²

